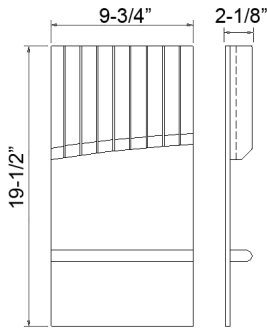
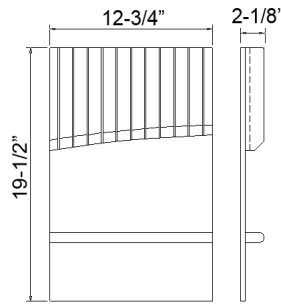




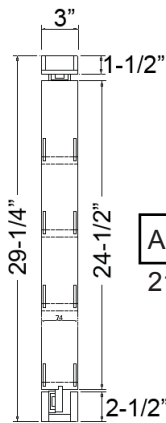
Cabinet Organizers Specs 11/9/2010



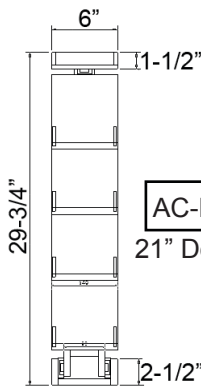
AC-KBI15



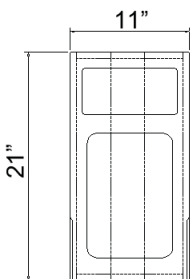
AC-KBI18



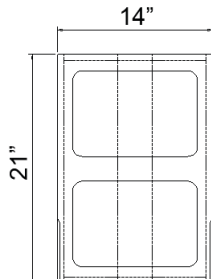
AC-BFP3
21" Deep



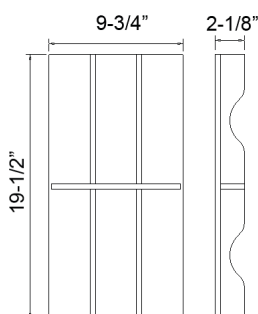
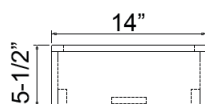
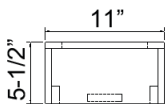
AC-BFP6
21" Deep



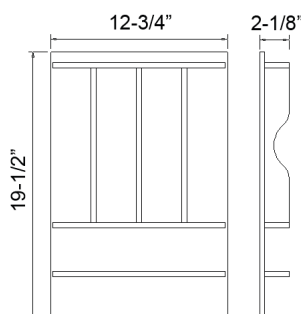
AC-WBS15



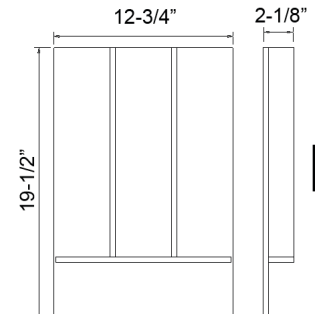
AC-WBD18



AC-UDI15



AC-UDI18



AC-UC18

| Item ID | Description |
|----------|--|
| AC-BFP3 | Base Filler Pullout with 4 Shelves - 3" W (Maple) Requires BF3 |
| AC-BFP6 | Base Filler Pullout with 4 Shelves - 6" W (Maple) Requires BF6 |
| AC-WBS15 | Single Pullout Waste Basket for B15 (Maple) |
| AC-WBD18 | Double Pullout Waste Basket for B18 (Maple) |
| AC-KBI15 | Knife Block Insert for 15" Base Cabinet - 9 3/4" W (Maple) May require trimming |
| AC-KBI18 | Knife Block Insert for 18" Base Cabinet - 12 3/4" W (Maple) May require trimming |
| AC-UDI15 | Utensil Divider Insert for 15" Base Cabinet - 9 3/4" W (Maple) May require trimming |
| AC-UDI18 | Utensil Divider Insert for 18" Base Cabinet - 12 3/4" W (Maple) May require trimming |
| AC-UC18 | Utility Cookware Divider for 18" Base Cabinet - 12 3/4" W (Maple) May require trimming |