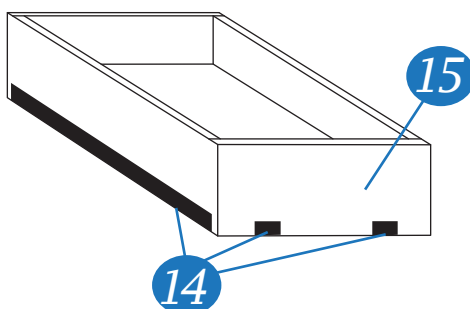
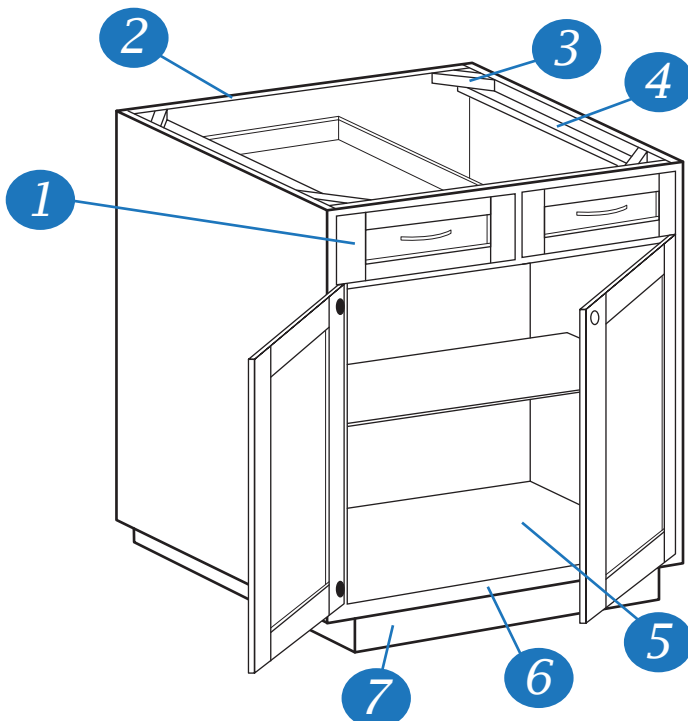
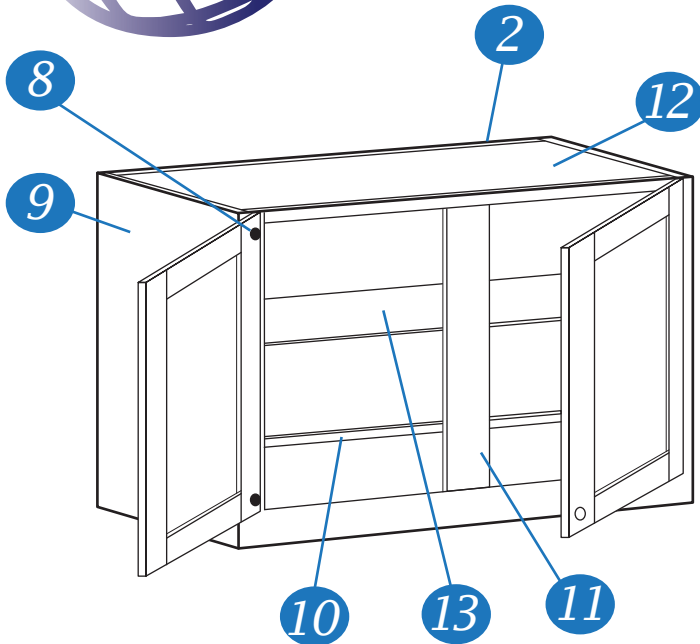




Construction Details



1	Drawer Front	Five piece matching 5/8" solid wood (5/8" solid slab for Carolina Oak only)
2	Back	1/2" plywood
3	Corner Brace	Solid wood (plastic on vanities, Spice Maple, and Carolina Oak)
4	I-Beam Support	Solid wood (not available on vanities Spice Maple, and Carolina Oak)
5	Interior	Matching finished wood veneer
6	Face Frame	3/4" solid wood
7	Toe Kick	1/2" plywood
8	Hinges	Concealed adjustable hinge
9	End Panels	1/2" plywood
10	Installation Rail	5/8" finished solid wood
11	Center Stile	Finished solid wood where applicable (See specbook for details)
12	Floor & Ceiling	1/2" plywood
13	Shelves	5/8" plywood
14	Runners & Glides	<ul style="list-style-type: none"> • Carolina Oak - Side mount epoxy • Spice Maple - Under mount epoxy • All other lines - Full extension soft close motion glide
15	Drawers	<ul style="list-style-type: none"> • 5/8" dovetail hinged for softclose lines (not available for vanities) • 5/8" countersunk screw construction for others